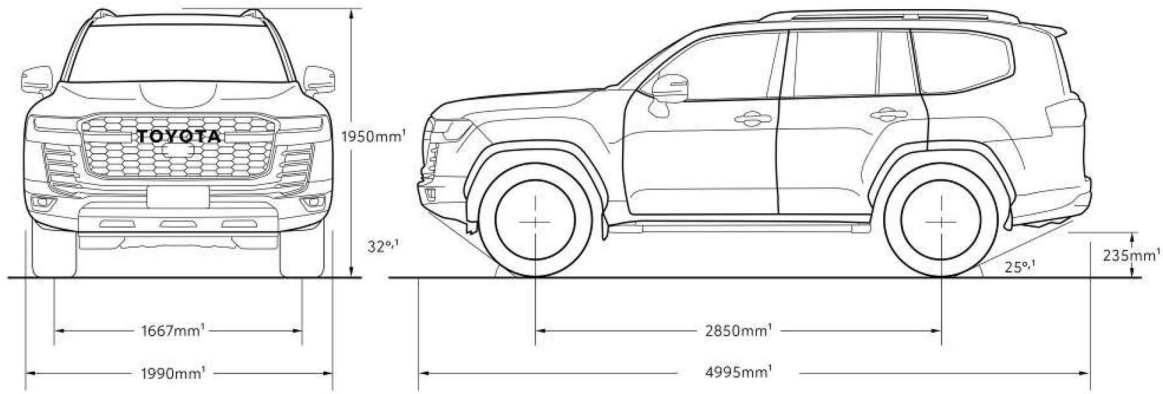


LandCruiser 300



GR Sport model shown

LANDCRUISER 300 MODEL		GR SPORT
OFF-ROAD CAPABILITIES	Electronic-Kinetic Dynamic Suspension System	•
	Front and rear differential locks	•
	Adaptive Variable Suspension	•
	Rear torque-sensing Limited Slip Differential	
	Crawl control	•
	Downhill Assist Control	•
	Hill-start Assist Control	•
	Multi-Terrain Select	•
	4-camera Multi-Terrain Monitor with Panoramic View Monitor	•
	Vehicle Dynamics Integrated Management	•
	Active Traction Control	•
STORAGE	6 cup holders	
	8 cup holders	•
	Overhead storage for glasses	•
	2nd row centre armrest	•
	Cool box	•
	Driver and passenger seat back pockets	•
	Driver and passenger seat back pockets – hard backed	
MULTIMEDIA	9" colour touchscreen display	
	12.3" colour touchscreen display with CD/DVD input	•
	4.2" Multi Informational Display	
	7" Multi Informational Display	•
	Apple CarPlay ^{®4,5} and Android Auto ^{™4,6} (speak to your Dealer about device compatibility)	•
	Steering wheel controls with audio, Multi Information Display, voice recognition and telephone controls	•
	6 speakers	
	10 speakers	
	14-speaker JBL ^{®7} premium audio	•
	Satellite navigation ⁸	•
	Digital radio	•
	1 USB audio input ⁹	•
	5 USB charging ports – 1x front, 4x rear	
	3 USB charging ports – 1x front, 2x rear	•
	12V accessory input – front and rear	•
	220V accessory input	•
	Wireless phone charger	•
	Bluetooth ^{®10} connectivity	•
Head-Up Display	•	
Dual rear seat entertainment (headphones not included)		
TOYOTA CONNECTED SERVICES¹¹	Toyota Connected Services ¹¹	3 years complimentary access ¹¹
	myToyota Connect ¹² app	•
	Stolen Vehicle Tracking ¹³	•
	Automatic Collision Notification ¹⁴	•
	SOS Emergency Call ¹⁵	•
SECURITY	Alarm system	•

LANDCRUISER 300 MODEL		GR SPORT
TOWING CAPACITY	With trailer brakes ³ (kg)	3500
	Without trailer brakes ³ (kg)	750
SEATING	Capacity	5
	60:40 folding 2nd row seats	
	40:20:40 folding 2nd row seats	•
	3rd row seating	
	Power-folding 3rd row	
	8-way power adjustment for driver and front passenger seats	•
	Driver's seat power lumbar adjustment	•
	Heated and ventilated driver and front passenger seats	•
	Heated and ventilated 2nd row outer seats	•
	Driver's seat memory – 3 memory settings	•
WHEELS AND TYRES	Wheels	18" alloy wheels – black
	Tyres	265/65R18
EXTERIOR	LED headlamps with manual levelling	
	Projector Bi-LED headlamps with auto-levelling and headlamp washers	•
	LED Daytime Running Lamps, front turn signals and tail lights	•
	LED rear turn signals	•
	LED front fog lamps	•
	Sequential turn signals – front and rear	•
	Puddle lamps	•
	Side mirror indicators	•
	Chrome-accented exterior door mirrors and door handles	
	Auto-dimming and tilting, heated exterior door mirrors	•
	Rear privacy glass	•
	Rear spoiler	•
	Unique side step design integrated with lower door moulding	
	Illuminated side steps	
	Aluminium side steps	
	Premium side steps	•
	Unique front and rear lower bumper design and wheel arch mouldings	
	Unique front and rear lower bumper design and black wheel arch mouldings	•
	Premium grille	
	Unique black gloss mesh grille with white matte Toyota lettering	•
	Front door scuff plate ornamentation	•
	Chrome window mouldings	
	Painted lower door mouldings	
	Black lower door mouldings, outer mirror covers, door handles, window mouldings and LandCruiser logo	•
	GR Sport badge on back door	•
	GR logo on grille and front doors	•
	Lift-up back door	
	Power back door	•
	Hands-free back door with kick sensor	
	Tilt and slide moonroof	•
	Roof rails	•
	Mudguards – front	•
	Mudguards – rear	
Unique rear mudguards	•	
Snorkel		

LANDCRUISER 300 MODEL		GR SPORT
INTERIOR	Fabric seats	
	Synthetic seats	
	Leather accented seats	•
	Woodgrain-look and synthetic interior trim	
	Premium centre cluster, interior door handles and door switch trim	•
	Power adjustable steering wheel	•
	Unique advanced carbon-look steering wheel, centre console and door trim	•
	GR logo on steering wheel, front seat headrests and smart start engine button	•
	Heated steering wheel	•
	Leather accented gear shift knob	•
	LED front interior lamp	
	LED interior lamps including rear LED reading lamps	•
	Halogen door courtesy lamps	
	LED door courtesy lamps	•
	Rear footwell illuminated entry lighting	•
	Illuminated vanity mirrors	•
	Auto-dimming interior rear view mirror	•
	Vinyl floor – 1st and 2nd row	
	Carpeted floor	•
	All-weather rubber floor mats – front and rear	
	Carpet floor mats – front and rear	•
	INSTRUMENTS AND CONTROLS	3 drive mode select
5 drive mode select		•
Smart entry and start system		•
Front dual-zone climate control		
4-zone climate control		•
Rear auto cooler		
Electronic Park Brake		•
One-touch power windows (all doors)		•
Remote power windows		•
Variable intermittent wipers		
Automatic rain-sensing wipers	•	
SAFETY	Toyota Safety Sense – including Pre-Collision Safety system with pedestrian and daytime cyclist detection, Active Cruise Control (all speed), Automatic High Beam, Lane Departure Alert with brake to steer and Road Sign Assist (speed signs only)	Automatic High Beam is replaced with Adaptive High Beam System
	Lane Trace Assist with steering wheel vibration	•
	Anti-lock Braking System and Brake Assist	•
	Blind Spot Monitor	•
	Rear Cross Traffic Alert	•
	Dusk-sensing auto headlamps	•
	Adaptive High Beam System	•
	Reversing camera	•
	Parking sensors – front and rear	•
	Back Guide Monitor	•
	Trailer Sway Control	•
	Trailer wiring harness connection (Trailer harness – 7 pin socket sold separately)	•
	10 SRS airbags	•
	3rd row curtain airbags	
	2 ISOFIX anchor points	•
	Front and 2nd row occupant detection	•
	3rd row occupant detection	
	Rear parking support brake	•